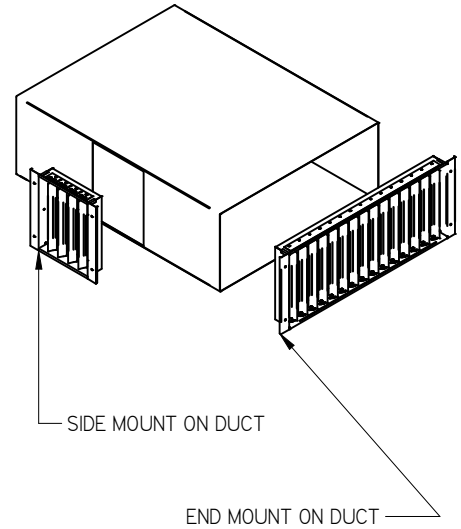
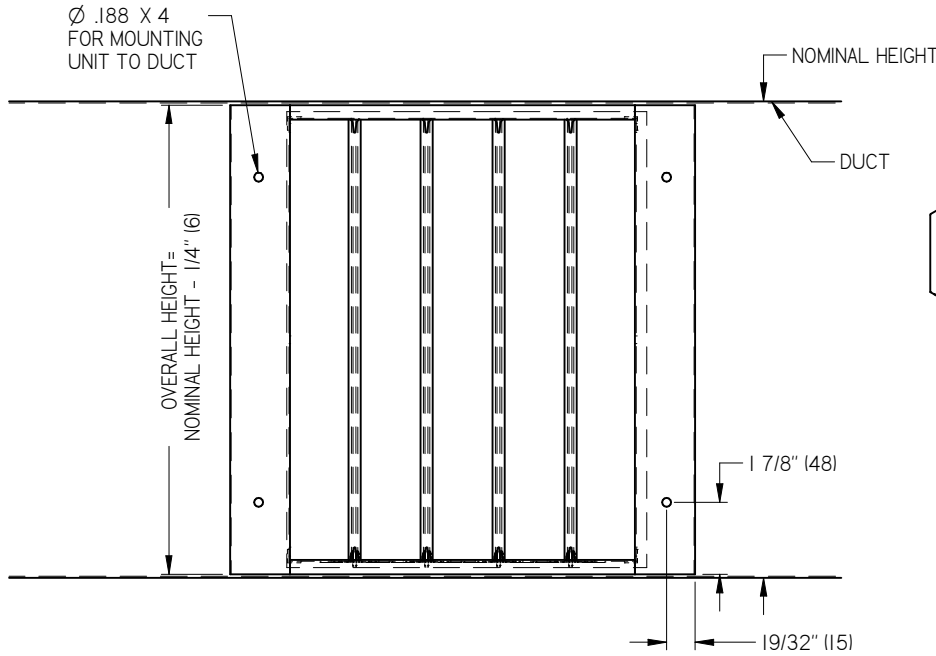
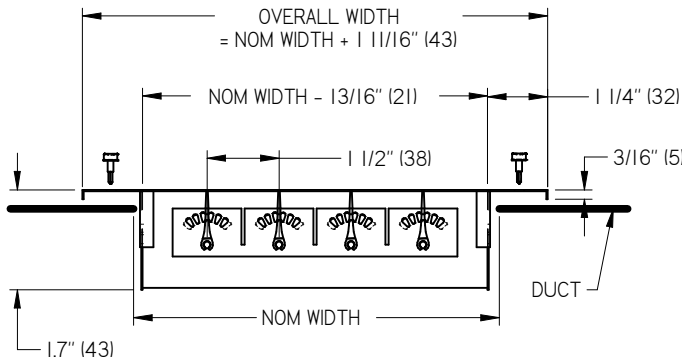


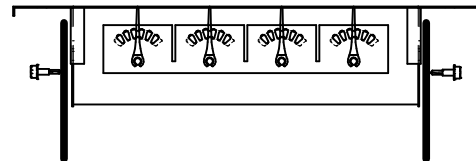
UNDERFLOOR DEFLECTION GRILLE



SIDE MOUNT CONFIGURATION



END MOUNT CONFIGURATION



MATERIAL:

- FRAME: STEEL
- BLADES: EXTRUDED ALUMINUM
- INDEXING PLATE: STAINLESS STEEL

FINISH:

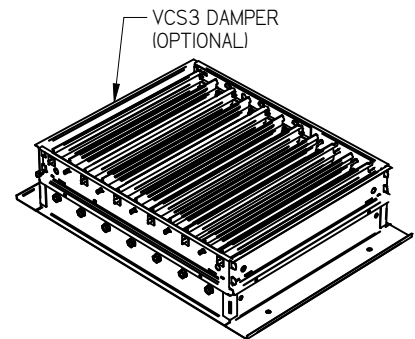
- B12 WHITE
- B15 ALUMINUM
- MILL FINISH (STANDARD)
- (OPTIONAL FINISHES AVAILABLE)

OPTIONS:

- c/w VCS3-COATED STEEL OPPOSED BLADE DAMPER

NOTES:

- AVAILABLE SIZES: MIN 12" X 12" (305 X 305) MAX 18" X 48" (458 X 1219) WITH 1" INCREMENTS
- BLADES INDEX AND LOCK INTO POSITION AT 0, 15, 30, AND 45 DEGREE DEFLECTIONS IN BOTH DIRECTIONS
- FACTORY TOLERANCE +/- 1/32" (1)
- 4 SHEETMETAL SCREWS PROVIDED



ALL METRIC DIMENSIONS () ARE SOFT CONVERTED. IMPERIAL DIMENSIONS ARE CONVERTED TO METRIC AND ROUNDED TO THE NEAREST MILLIMETER.

PROJECT:		PRICE
ENGINEER:		
CUSTOMER:		<i>MG</i>
SUBMITTAL DATE:		245820
SPEC. SYMBOL:		APR. 2013
DGU DEFLECTION GRILLE FOR UNDERFLOOR		